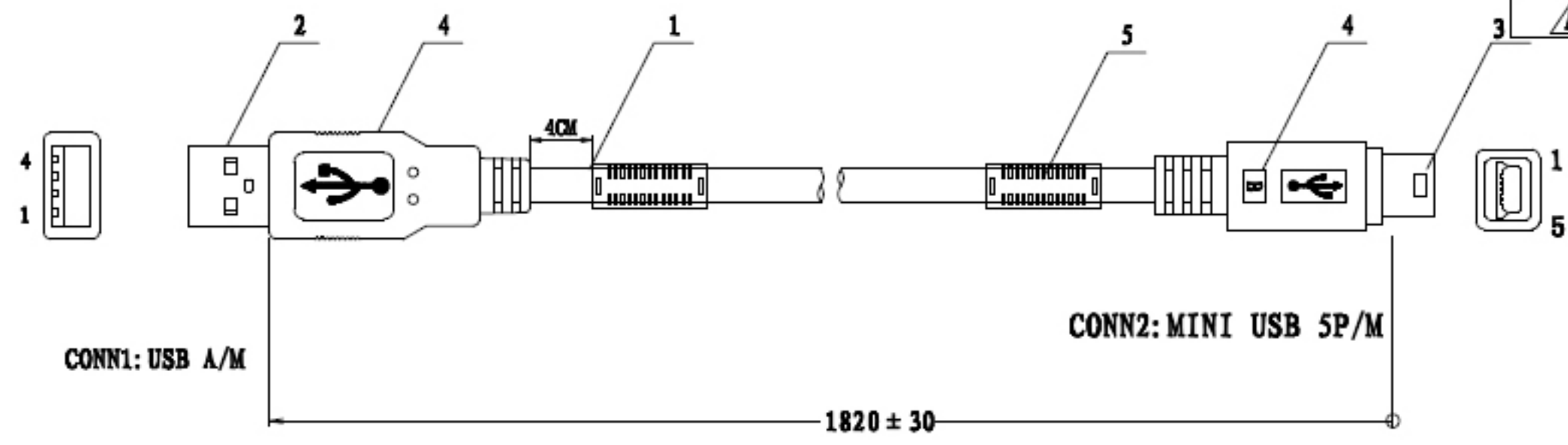


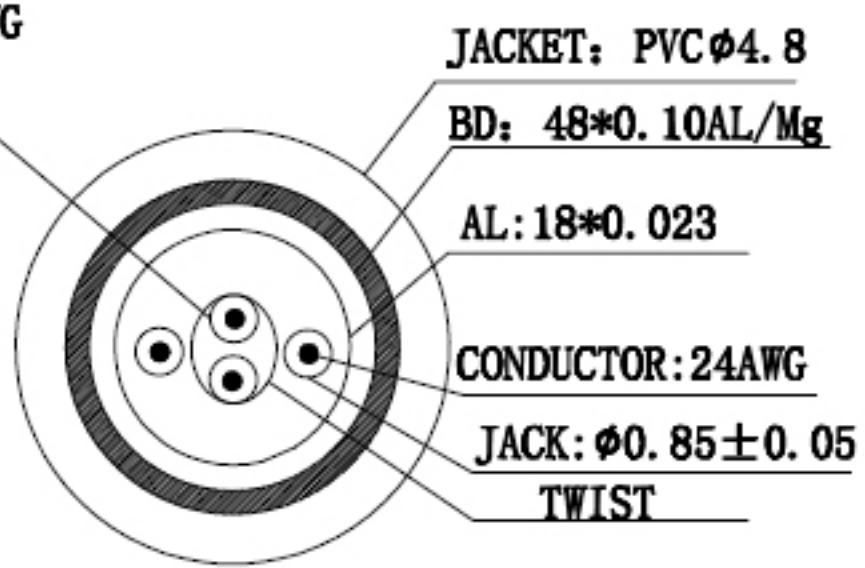
REV	DESCRIPTION
A	



PIN OUT

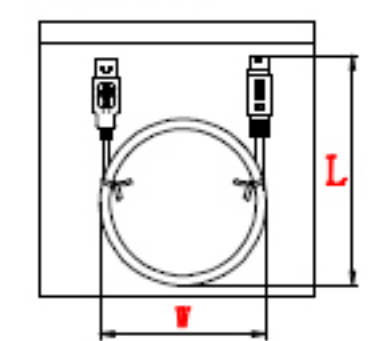
CONN1	CONN2
1	1 red
2	2 white
3	3 green
4	5 black
G	G screen

CONDUCTOR: 28AWG

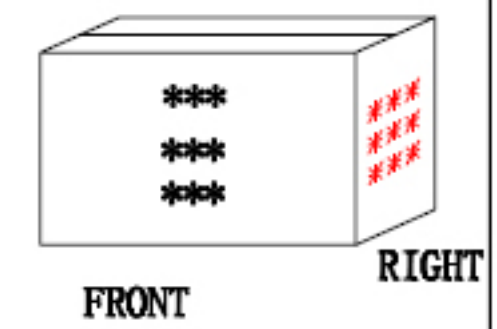


PACKING

1. 1PC/Bag



2. 100PCS/Box (mesa: 39\*33\*26)



NO.	PART NO.	PART NAME	MATERIAL	Q' TY	REMARKS
5		ferrite	9.3*9.3*5.5	2	GRAY
4	8602001	MOLDING	UL 80°C 45P PVC	2	GRAY
3	7304003	CONN. 2	USB MINI5PIN connector	1	GOLD
2	7304001	CONN. 1	USB A/M connector	1	GOLD
1	6104001	USB CABLE	UL 2725 28AWG*1P+24AWG*2C+AEB+PVC OD:4.8mm	1	GRAY

	DESCRIPTION	USB A/M-USB MINI5PIN			
	PRAR NO.	FT5008			
DRAW	July zhang	CONSUMER			
CHECK		DATE	2009/04/16	REV.	A
APP.		SHEET	1/1	UNIT	mm
				SCALE	1:1